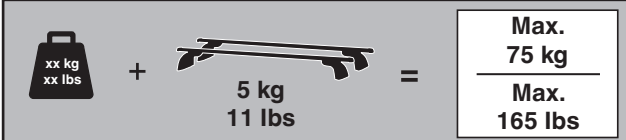


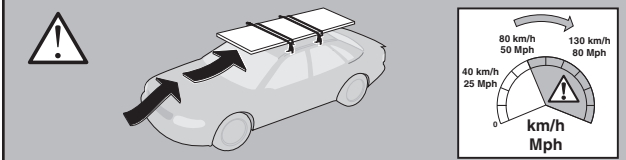
## Rapid System Kit 4017

MITSUBISHI ASX, 5-dr SUV, 10–  
MITSUBISHI RVR, 5-dr SUV, 10–

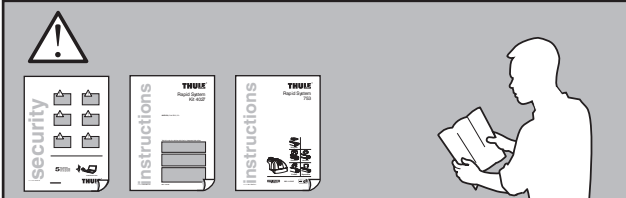
This kit is only for vehicles with flush or integrated side railing.



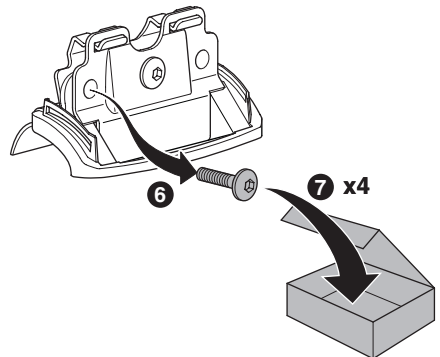
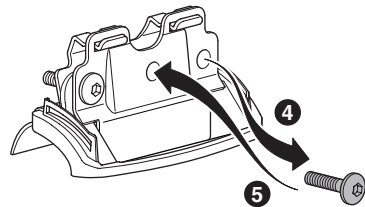
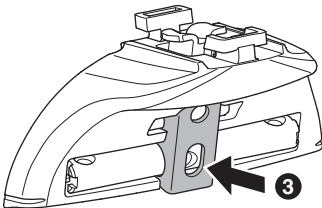
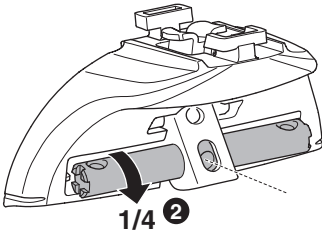
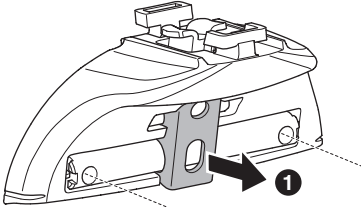
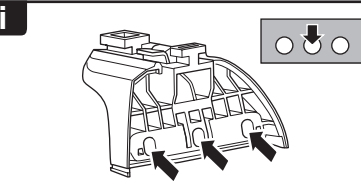
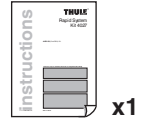
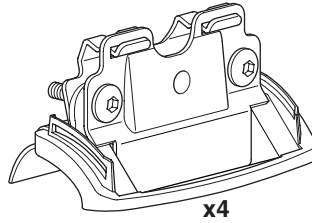
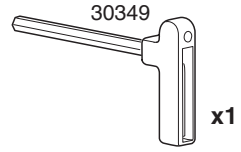
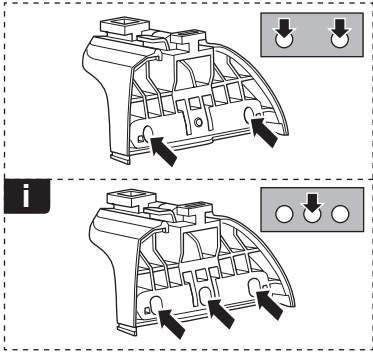
A diagram showing a weight limit calculation. On the left, a weight icon is labeled "xx kg" and "xx lbs". This is followed by a plus sign, a roof rack icon labeled "5 kg" and "11 lbs", and an equals sign. To the right, a box contains the text "Max. 75 kg" and "Max. 165 lbs".



A diagram showing a car with a roof rack. A warning triangle icon is on the left. On the right, a speedometer icon shows a warning triangle at 80 km/h (50 Mph). The speedometer scale has markings for 40 km/h (25 Mph), 80 km/h (50 Mph), 130 km/h (80 Mph), and 180 km/h (110 Mph).



A diagram showing a warning triangle icon on the left. Below it are three icons: a "security" icon with a padlock, an "instructions" icon with a document, and another "instructions" icon with a document and a car. On the right, a silhouette of a person is shown reading a document.



**1**

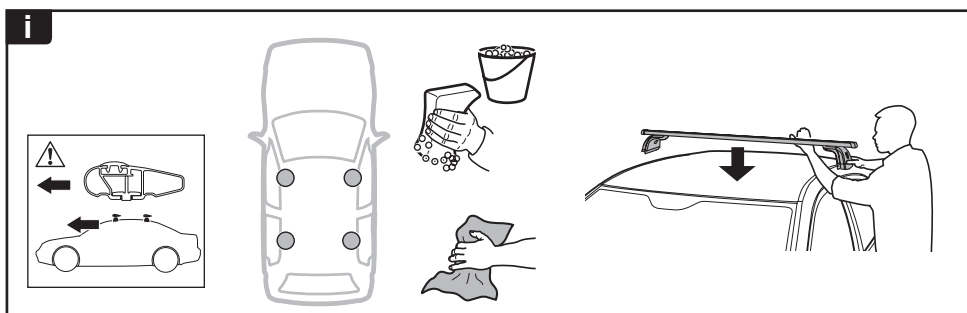
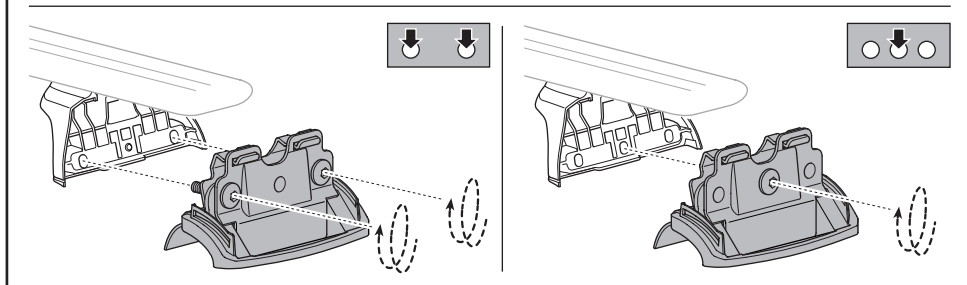
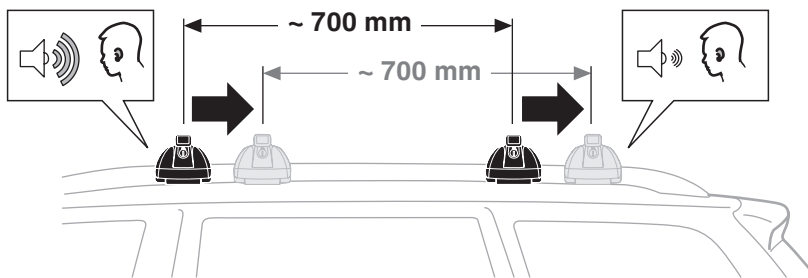
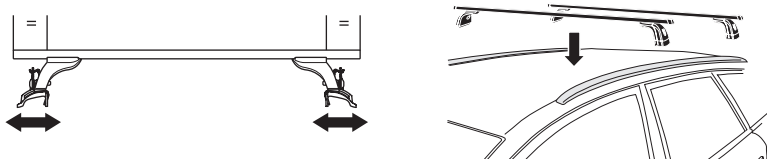
EN Only a few turns  
 DE Nur wenige Umdrehungen  
 FR Quelques tours uniquement  
 NL Slechts enkele slagen  
 IT Solo qualche giro  
 ES Sólo algunas vueltas  
 PT Noções básicas  
 SV Endast några varv  
 DK Kun nogle få omgange  
 NE Bare noen få omdreininger  
 FI Vain muutama kierros

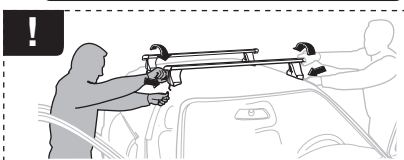
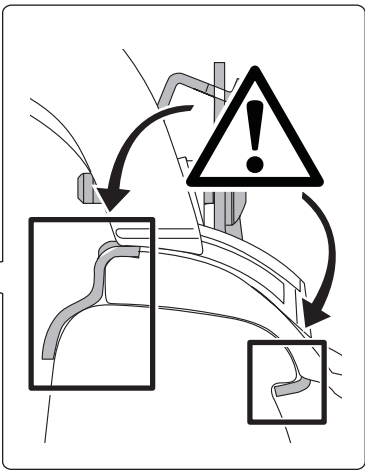
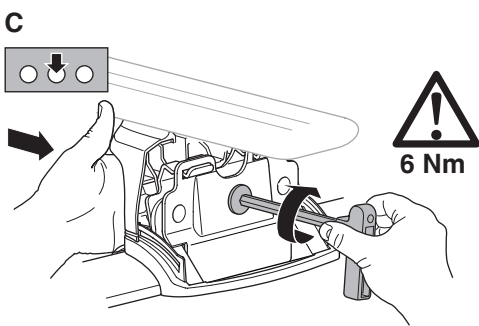
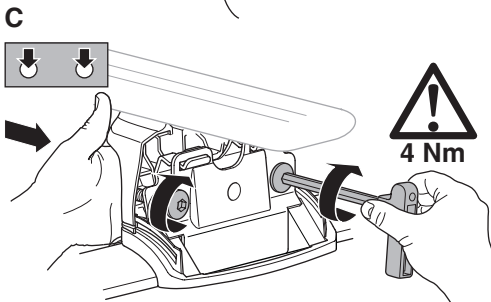
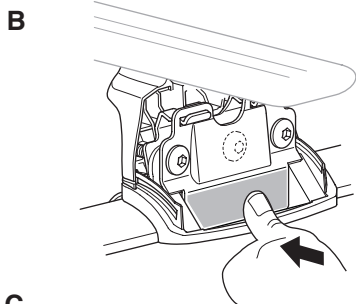
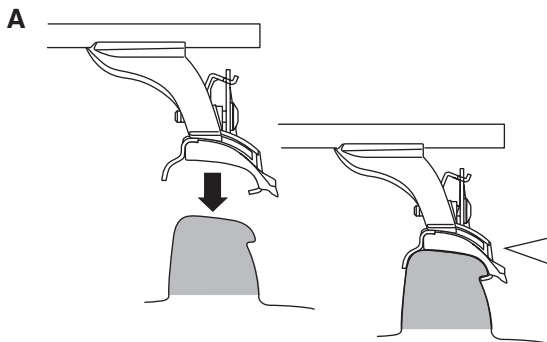
ET Ainult mõni pööre  
 LV Tikai dažī apgriezieni  
 LT Tik keli pasukimai  
 PL Wystarczy kilka obrotów  
 RU Только несколько оборотов  
 UK Лише декілька обертів  
 BG Само няколко завъртания  
 CS Pouze několik otáček  
 SK Len niekoľko otáčok  
 SL Le nekaj obratov  
 HR/BIH Samo nekoliko okreta

RO Doar câteva rotiri  
 HU Csak néhány fordítás  
 EL Μόνο λίγες περιστροφές  
 TR Yalnızca birkaç tur  
 AR بعض دورات فقط  
 HE רק מספר סיבובים

ZH 仅几圈  
 JA 2~3回転のみ  
 KO 몇 번만 돌리면 됨  
 TH เพียงสองสามรอบ

AR  
 HE

**2**



- EN** Tighten alternately  
**DE** Die Schrauben abwechselnd anziehen  
**FR** Serrer alternativement chaque côté  
**NL** Afwisselend aan de linker- en de rechterkant aandraaien  
**IT** Alternare il serraggio delle viti  
**ES** Apretar alternativamente  
**PT** Aperte alternadamente  
**SV** Dra åt växelvis  
**DK** Spænd skiftevis  
**NE** Trekk til vekselvis  
**FI** Kierrä vuorotellen  
**ET** Pinguldage vaheldumisi  
**LV** Pievelciēt pamišus  
**LT** Užsukinėkite pakaitomis  
**PL** Śruby dokręcaj naprzemiennie  
**RU** Затягивайте попеременно  
**UK** Затягти по чергово  
**BG** Затегнете последователно  
**CS** Pokrčteľa baĝaĝníka dokrčejaj dokrčejaj naprzemiennie.  
**SK** Dofahujte striedavo  
**SL** Privijajte izmenično.  
**HR/BIH** Naizmjenično zategnite  
**RO** Strângeți alternativ  
**HU** Egymástól függetlenül szorítandó  
**EL** Σφιγγετε εναλλάξ  
**TR** Dönüşümlü sıkın

إحكام الربط بالتناوب **AR**  
 זקוק לסירוגין **HE**

- ZH** 交替拧紧  
**JA** 自動固定  
**KO** 번갈아 조이기  
**TH** สลับขันนอต

