



Thule XT Kit 3022

> Instructions

- VOLKSWAGEN Caddy**, 4-dr Van, 04-
- VOLKSWAGEN Caddy**, 5-dr Van, 04-
- VOLKSWAGEN Caddy**, 4-dr Estate, 04-
- VOLKSWAGEN Caddy**, 5-dr Estate, 04-
- VOLKSWAGEN Caddy Maxi**, 4-dr Van, 08-
- VOLKSWAGEN Caddy Maxi**, 5-dr Van, 08-

This kit is only for vehicles with fixpoint mounting.

The diagram illustrates the installation and weight limits for the Thule XT Kit 3022. It is divided into several sections:

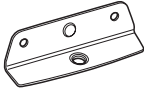
- Weight Limits:** Two equations show the maximum weight capacity based on the weight of the vehicle's roof structure. The first equation is $xx \text{ kg} / xx \text{ lbs} + 6 \text{ kg} / 13 \text{ lbs} = \text{Max. } 100 \text{ kg} / 220 \text{ lbs}$. The second equation is $xx \text{ kg} / xx \text{ lbs} + 9 \text{ kg} / 20 \text{ lbs} = \text{Max. } 150 \text{ kg} / 330 \text{ lbs}$.
- Mounting Diagrams:** Two diagrams show the kit being mounted on a vehicle's roof. The first diagram shows the kit being secured with a strap. The second diagram shows the kit being mounted on a roof rack.
- Documentation:** Four documents are shown: two instruction manuals for FootPacks 751 and 753, and two security documents. A silhouette of a person is shown reading the documents.
- Speedometer Warning:** A speedometer diagram shows a warning zone between 40 km/h (25 Mph) and 80 km/h (50 Mph). A warning triangle is placed in this zone, indicating that the kit should not be used at these speeds.

ISO 11154-E

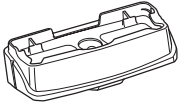
183022

C.20130612
509-3022-02

Bring your life
thule.com



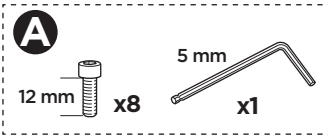
◀ 21 x4



◀ 07 x4



751
FootPack



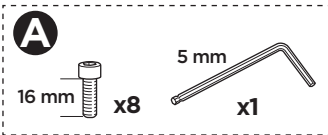
A

12 mm x8

5 mm x1



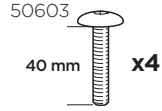
753
FootPack



A

16 mm x8

5 mm x1



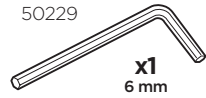
50603

40 mm x4



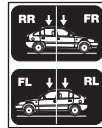
51346

x4



50229

x1
6 mm



x1

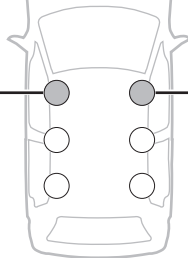
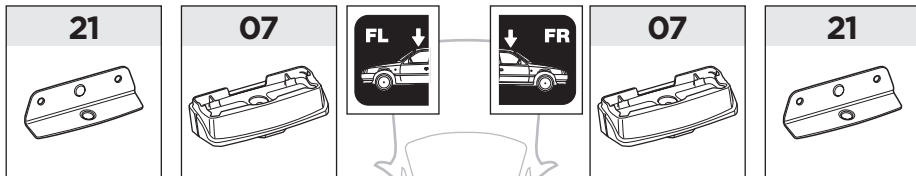
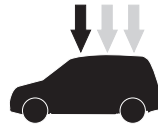
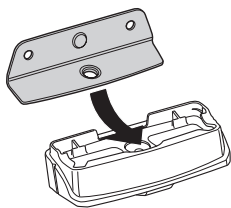
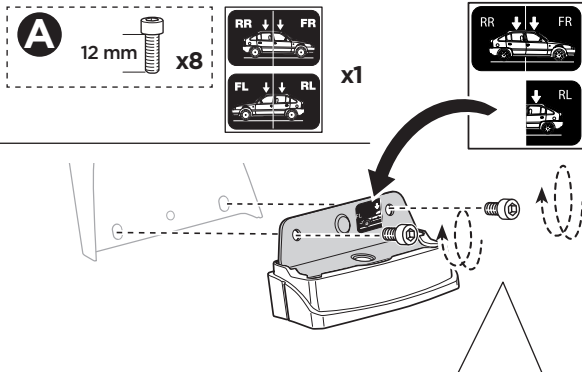


B

THULE

Instructions

x1

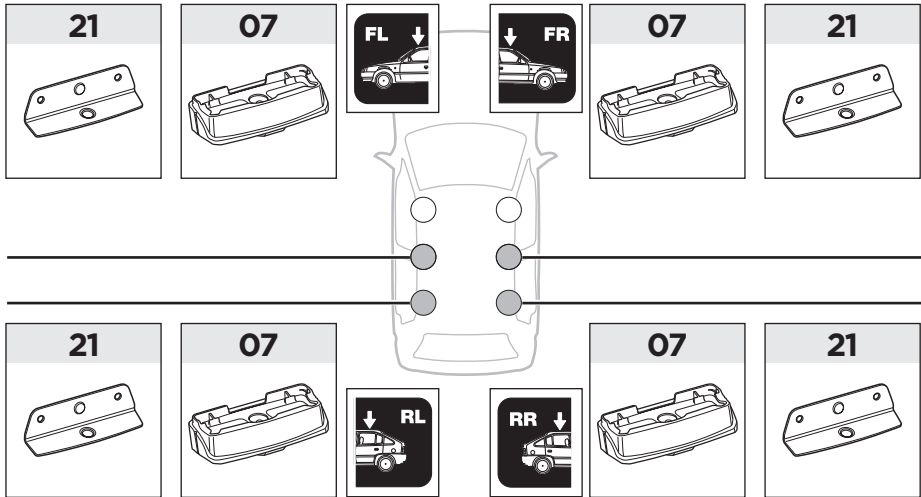
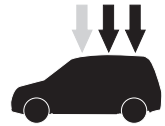
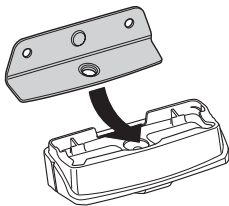
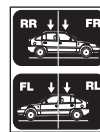
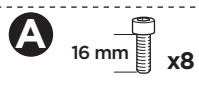
1**751**
FootPack**A****B**

EN Only a few turns
DE Nur wenige Umdrehungen
FR Quelques tours uniquement
NL Slechts enkele slagen
IT Solo qualche giro
ES Sólo algunas vueltas
PT Noções básicas
SV Endast några varv
DK Kun nogle få omgange
NE Bare noen få omdreinger
FI Vain muutama kierros

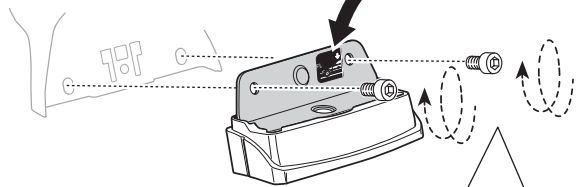
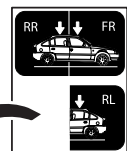
ET Ainult mõni pööre
LV Tikai dažī apgriezieni
LT Tik keli pasukimai
PL Wystarczy kilka obrotów
RU Только несколько оборотов
UK Лише декілька обертів
BG Само няколко завъртания
CS Pouze několik otáček
SK Len niekoľko otáčok
SL Le nekaj obratov
HR/BIH Samo nekoliko okreta

RO Doar câteva rotiri
HU Csak néhány fordítás
EL Μόνο λίγες περιστροφές
TR Yalnızca birkaç tur

AR بعض دورات فقط
HE רק מספר סיבובים
ZH 仅几圈
JA 2～3回転のみ
KO 몇 번만 돌리면 됨
TH เพียงสองสามรอบ

1**753**
FootPack**A****B**

x1



EN Only a few turns
DE Nur wenige Umdrehungen
FR Quelques tours uniquement
NL Slechts enkele slagen
IT Solo qualche giro
ES Sólo algunas vueltas
PT Noções básicas
SV Endast några varv
DK Kun nogle få omgange
NE Bare noen få omdreinger
FI Vain muutama kierros

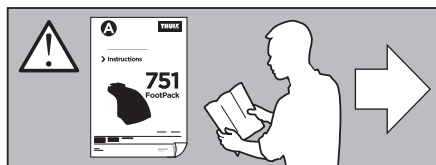
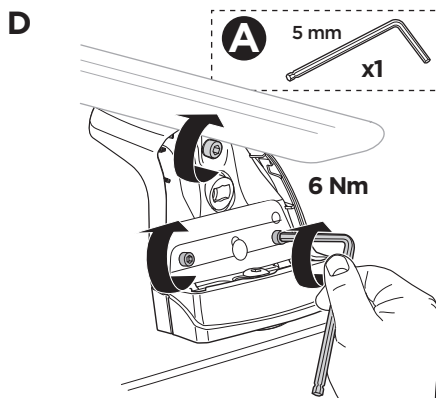
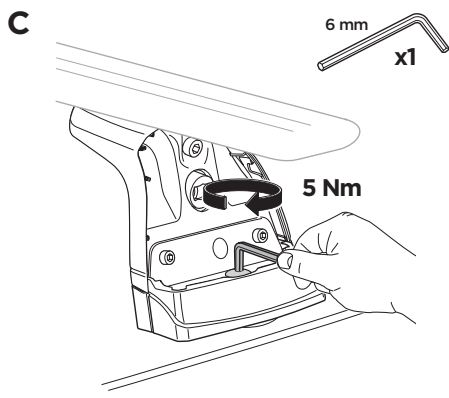
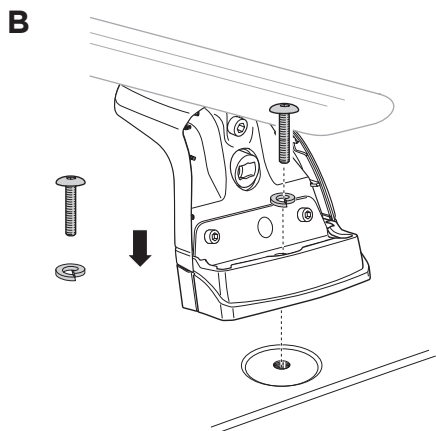
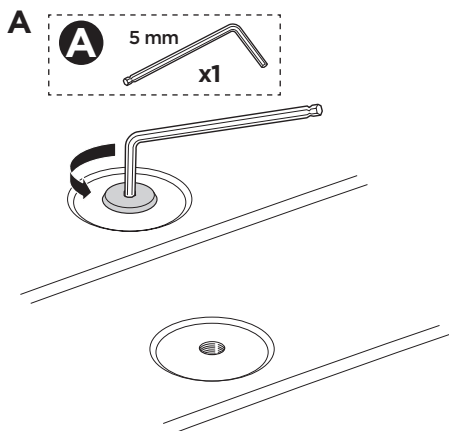
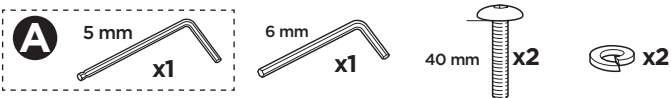
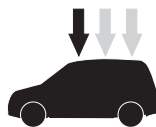
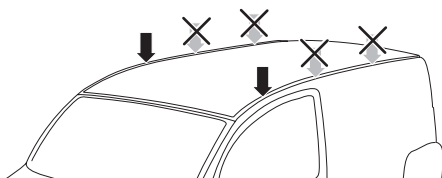
ET Ainult mõni pööre
LV Tikai dažī apgriezieni
LT Tik keli pasukimai
PL Wystarczy kilka obrotów
RU Только несколько оборотов
UK Лише декілька обертів
BG Само няколко завъртания
CS Pouze několik otáček
SK Len niekoľko otáčok
SL Le nekaj obratov
HR/BIH Samo nekoliko okreta

RO Doar câteva rotiri
HU Csak néhány fordítás
EL Μόνο λίγες περιστροφές
TR Yalnızca birkaç tur

بعض دورات فقط **AR**רק מספר סיבובים **HE**

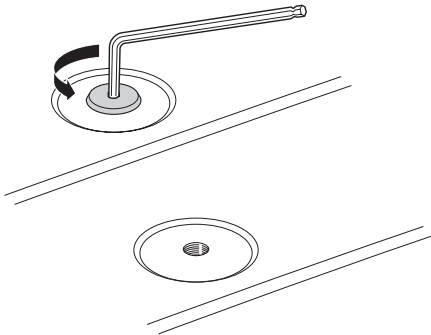
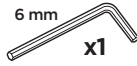
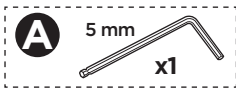
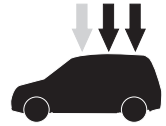
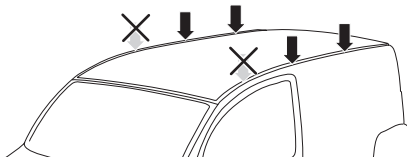
ZH 仅几圈
JA 2～3回転のみ
KO 몇 번만 돌리면 됨
TH เพียงสองสามรอบ

2 **751**
FootPack

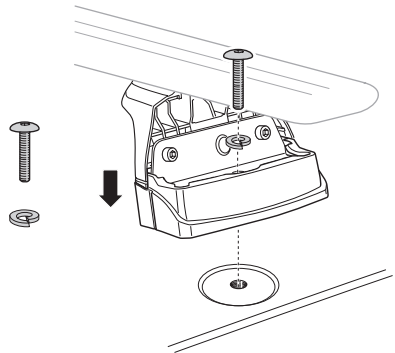


2

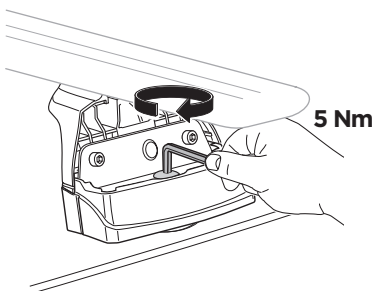
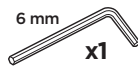
753
FootPack



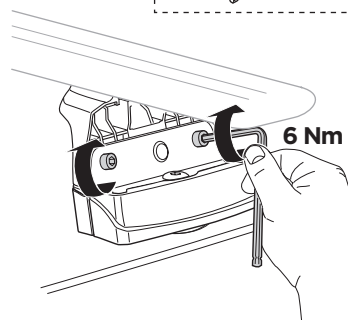
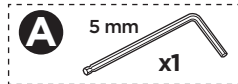
B





C



D



WW ▶  Thule Sweden AB, Box 69, 330 33 Hillerstorp, SWEDEN
NA ▶  Thule Inc., 42 Silvermine Road, Seymour, Connecticut 06483, USA

 info@thule.com
 Phone: 800-238-2388

 www.thule.com

› PART OF THULE GROUP

509-3022-02