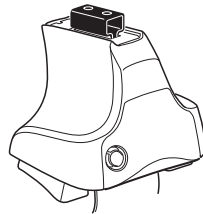
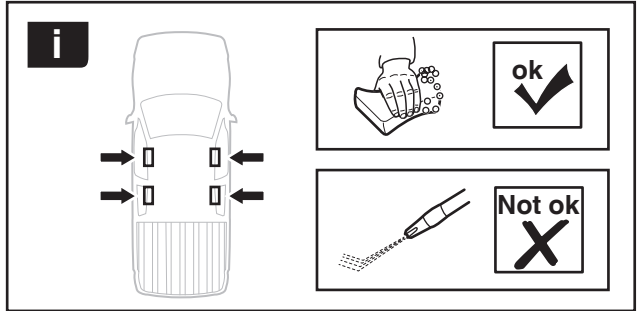
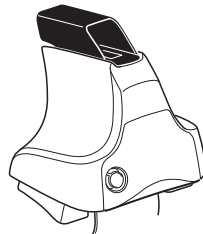
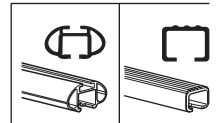


Kit 1714

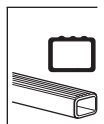
ISUZU D-Max, 4-dr Space Cab, 12-
ISUZU D-Max, 4-dr Extended Cab, 12-



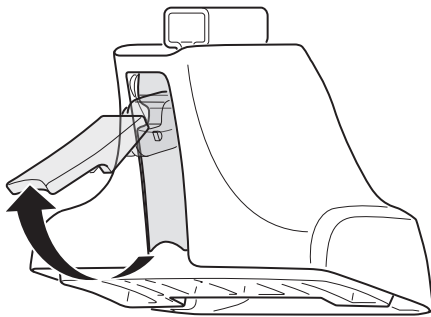
754 Rapid System
480R Rapid Traverse (North America)



480 Traverse (North America)



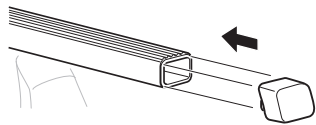
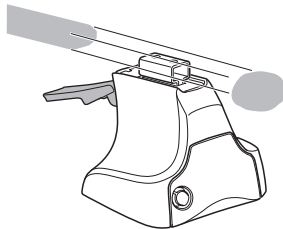
1



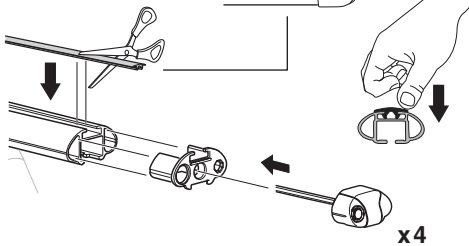
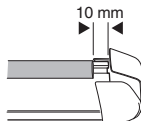
2



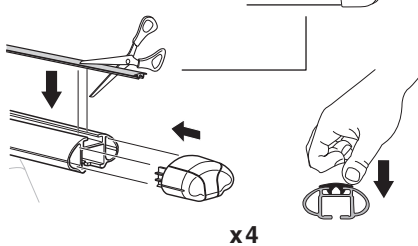
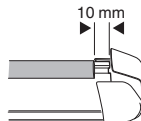
754 Rapid System
480R Rapid Traverse
(North America)



x4



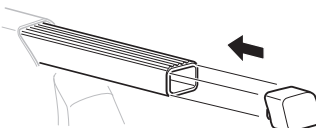
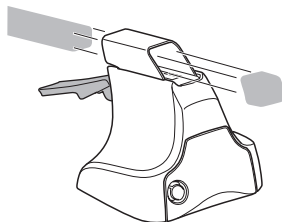
x4



x4

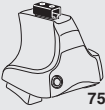


480 Traverse
(North America)

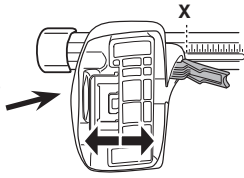


x4

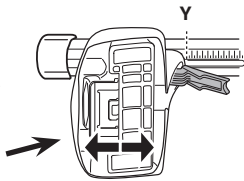
3



754 Rapid System



| | X |
|--|-----------|
| ISUZU D-Max, 4-dr Space Cab, 12- | 38 |
| ISUZU D-Max, 4-dr Extended Cab, 12- | 38 |



| | Y |
|--|-----------|
| ISUZU D-Max, 4-dr Space Cab, 12- | 36 |
| ISUZU D-Max, 4-dr Extended Cab, 12- | 36 |

3



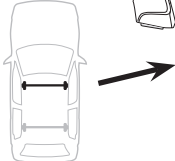
480R Rapid Traverse



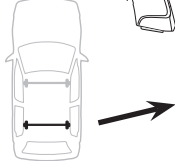
480 Traverse



(North America)

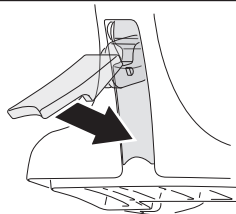


| | X inch | X mm |
|--|---------------------------------------|----------------|
| ISUZU D-Max, 4-dr Space Cab, 12- | 40 ⁵/₈ " | 1031 mm |
| ISUZU D-Max, 4-dr Extended Cab, 12- | 40 ⁵/₈ " | 1031 mm |



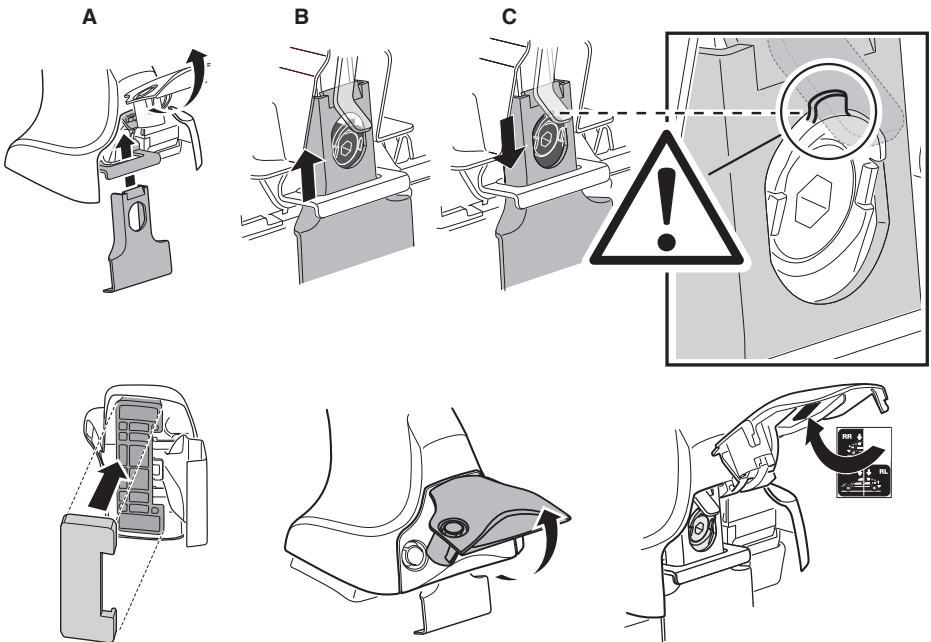
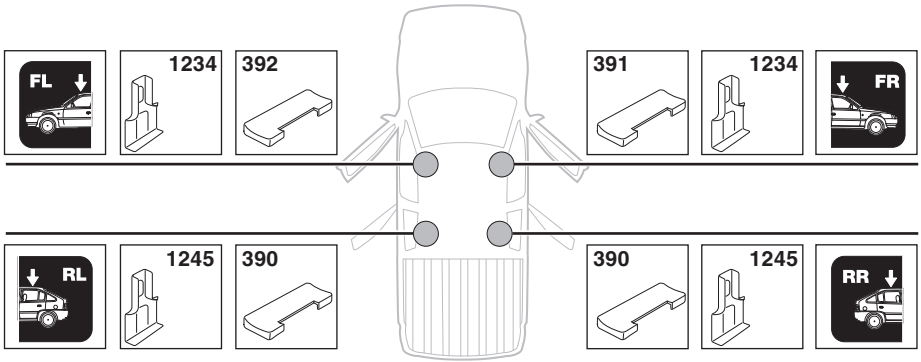
| | Y inch | Y mm |
|--|---------------------------------------|----------------|
| ISUZU D-Max, 4-dr Space Cab, 12- | 39 ³/₄ " | 1011 mm |
| ISUZU D-Max, 4-dr Extended Cab, 12- | 39 ³/₄ " | 1011 mm |

4

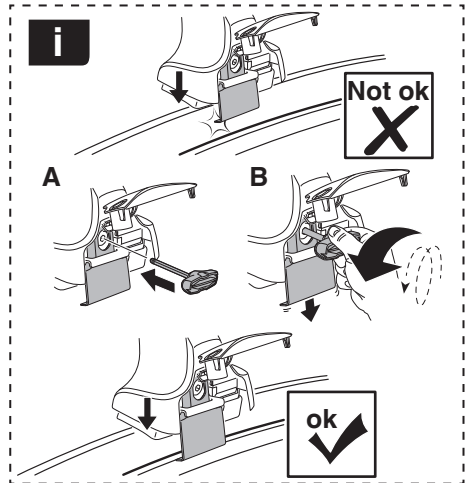
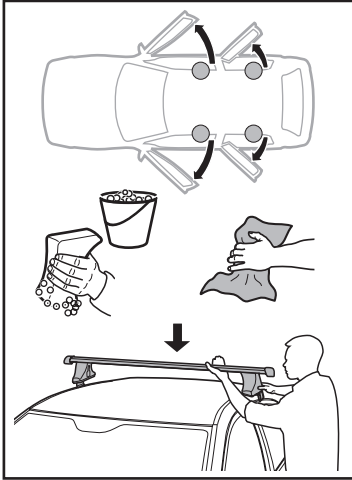


5

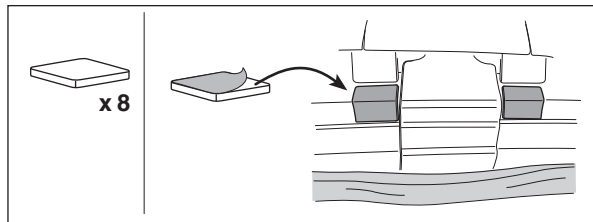
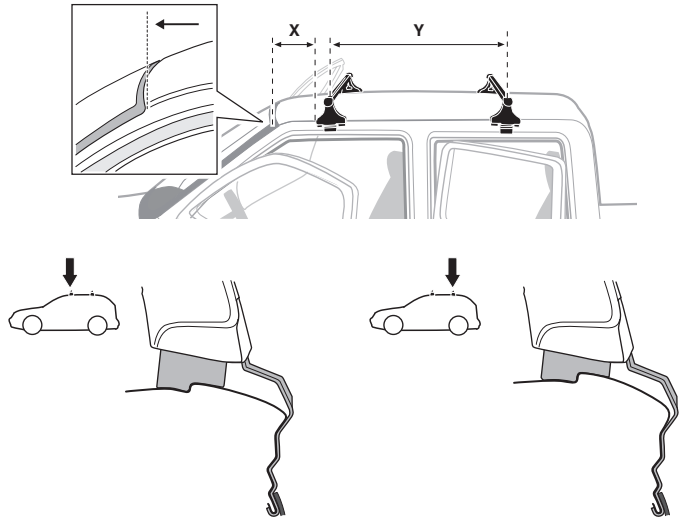
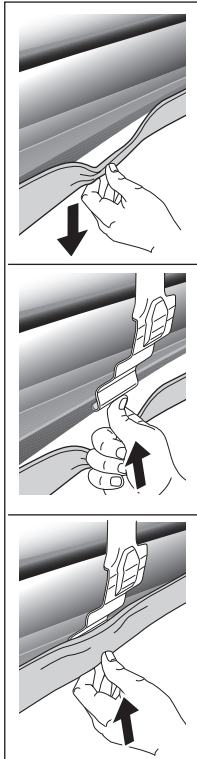
ISUZU D-Max, 4-dr Space Cab, 12-
ISUZU D-Max, 4-dr Extended Cab, 12-



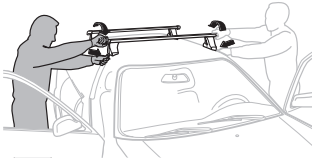
6



| | X mm | Y mm | X inch | Y inch |
|-------------------------------------|--------|--------|---------------------------------|----------------------------------|
| ISUZU D-Max, 4-dr Space Cab, 12- | 250 mm | 670 mm | 9 ⁷ / ₈ " | 26 ³ / ₈ " |
| ISUZU D-Max, 4-dr Extended Cab, 12- | 250 mm | 670 mm | 9 ⁷ / ₈ " | 26 ³ / ₈ " |



7



GB/US Tighten alternately
 D Die Schrauben abwechselnd anziehen
 F Serrer alternativement chaque côté
 NL Afwisselend aan de linker- en de rechterkant aandraaien
 I Alternare il serraggio delle viti
 E Apretar alternativamente
 PT Aperte alternadamente
 S Dra åt växelvis
 FIN Kierrä vuorotellen
 EST Pinguldage vaheldumisi
 LAT Pieļieciet pamišus
 LIT Užsukinėkite pakaitomis
 PL Śruby dokręcaj naprzemiennie
 RU Затягивайте попеременно

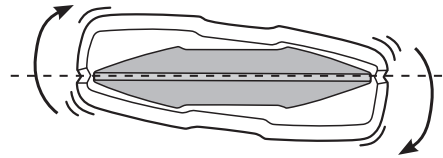
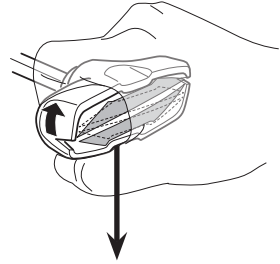
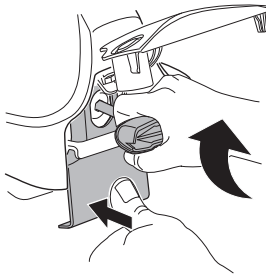
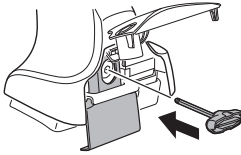
CZ Pokręťta bagażnika dokręcaj dokręcaj naprzemiennie.
 SK Dofahajte striedavo
 SLO Privijajte izmenično.
 HR Naizmjerno zategnite
 HU Egymástól függetlenül szorítandó
 GR Σφιγγείτε εναλλάξ
 TR Dönüşümlü sıkın

中文 交替拧紧

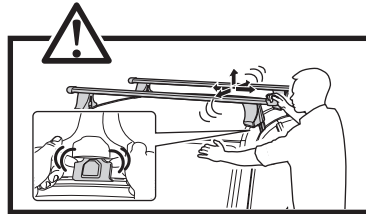
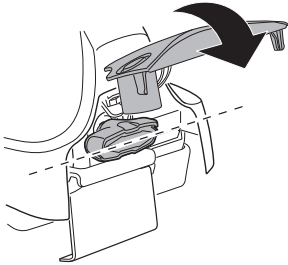
한국어 번갈아 가며 조이십시오.

日本語 交互に締め付けてください。

ไทย ขึ้นในแบบสลับ



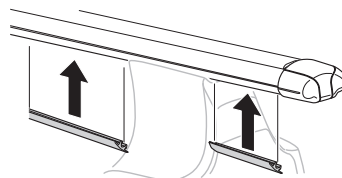
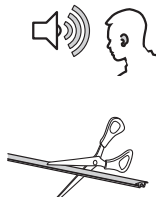
≈ 3 Nm

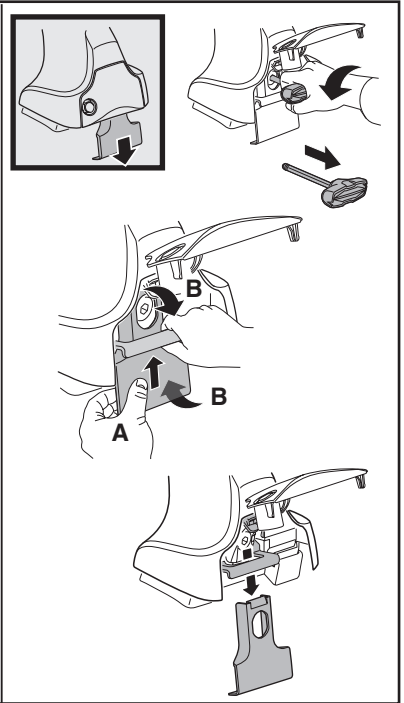
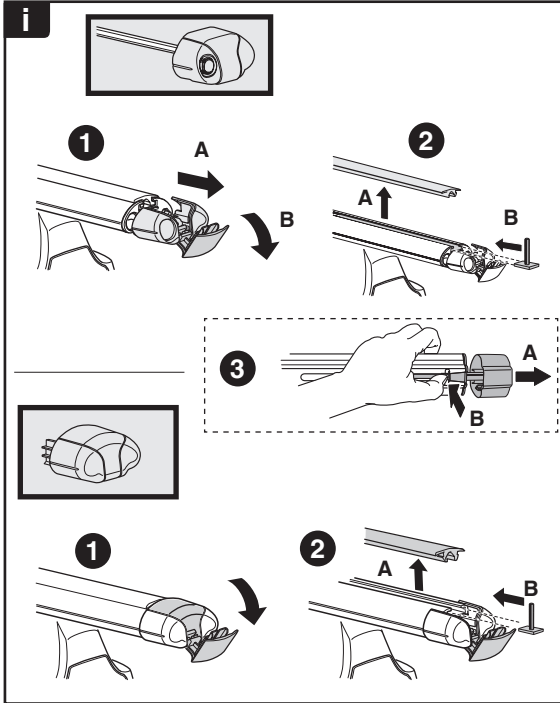
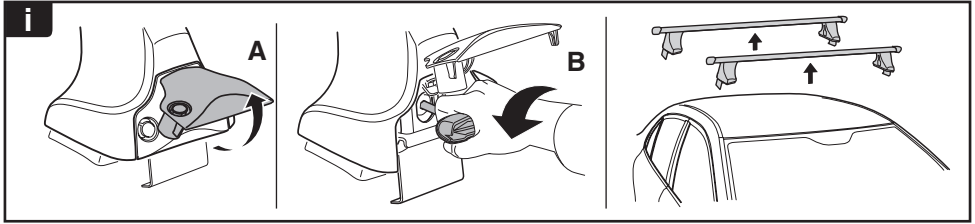


8

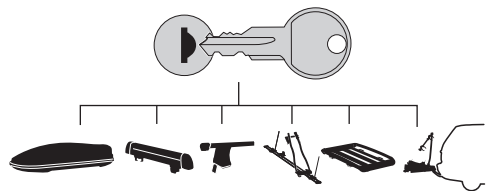


x1
17 mm

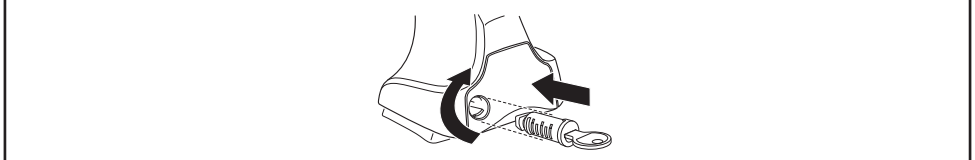




THULE
SWEDEN
**ONE
KEY
SYSTEM**



| | | |
|------|--|-------|
| | | (x4) |
| | | (x6) |
| | | (x8) |
| NA | | (x10) |
| EUR | | (x12) |
| ASIA | | |



WW ▶ Thule Sweden AB, Box 69, 330 33 Hillerstorp, SWEDEN
NA ▶ Thule Inc., 42 Silvermine Road, Seymour, Connecticut 06483, USA

info@thule.com
customer.service@thule.com

www.thule.com



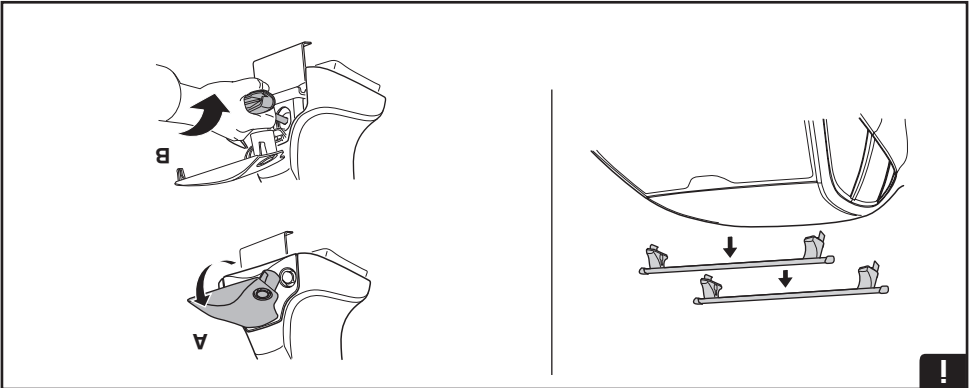
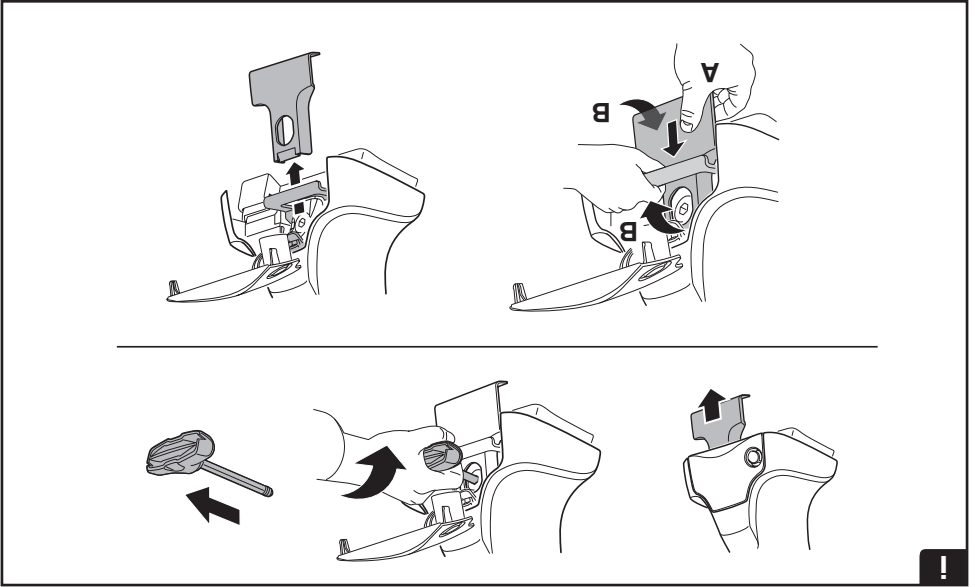
www.thule.com

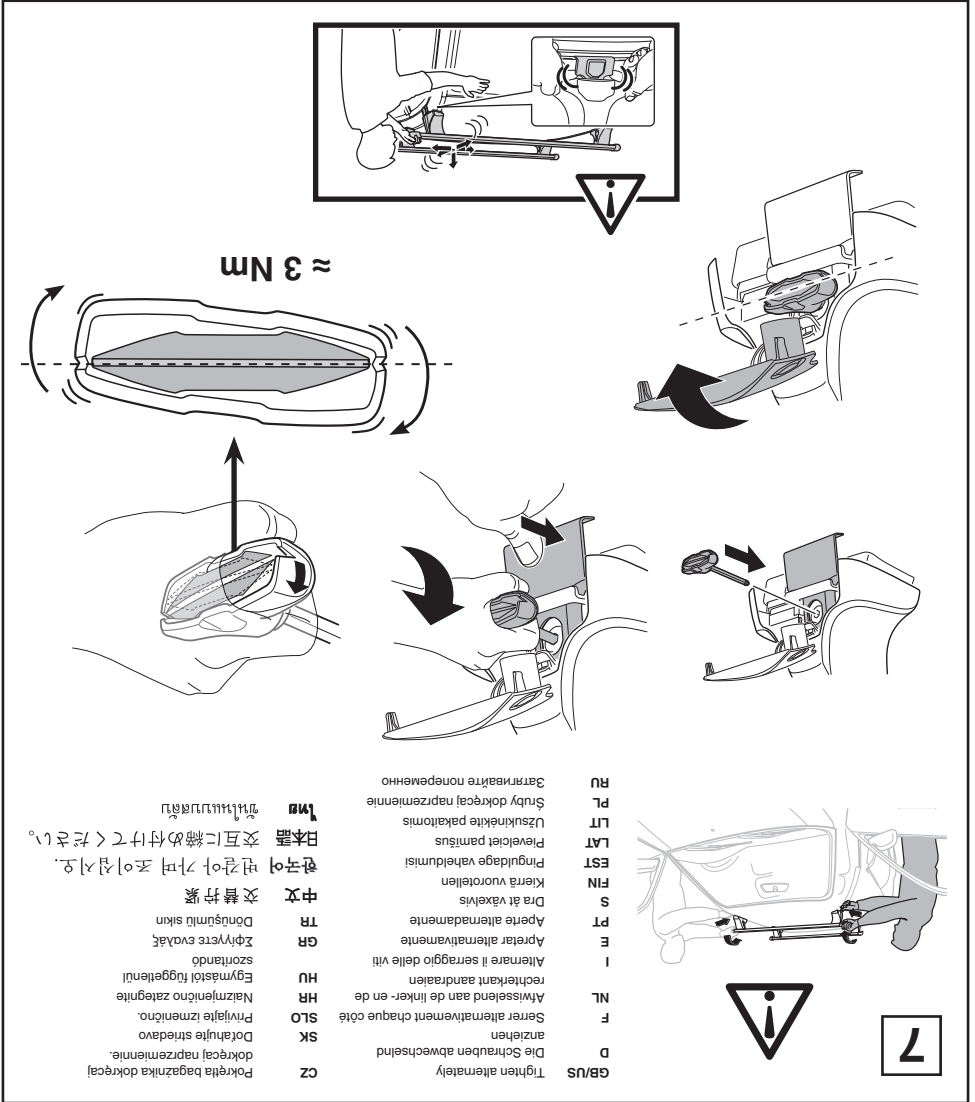
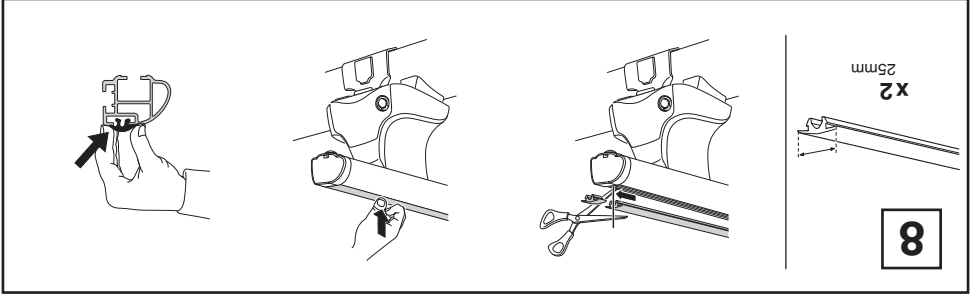


info@thule.com
customer.service@thule.com



Thule Inc., 42 Silvermine Road, Seymour, Connecticut 06483, USA
Thule Sweden AB, Box 69, 330 33 Hillerstorp, SWEDEN





CZ Pokrétla bagazníka dokrecaj dokrecaj naprazmeniemie.

SK Dotiahnuť striedavo.

SLO Privajlajte izmenično.

HR Nazmjenično zategnite.

HU Egymástól függetlenül szorítsandó.

GR Ζφίτυστε εναλλάξ.

TR Dönüştürmlü sıkın.

中文 交替拧紧

한국어 번갈아가며 조이십시오.

日本語 交互に締め付けてください。

ไทย หมุนสลับกัน

GB/US Tighten alternately.

D Die Schrauben abwechselnd anziehen.

F Serrer alternativement chaque côté.

NL Afwisselend aan de linker- en de rechterkant aandraaien.

I Alternare il serraggio delle viti rechterkant aandràiten.

E Apretar alternativamente.

PT Aperte alternadamente.

S Dra åt växelvis.

FIN Kierrä vuorotellen.

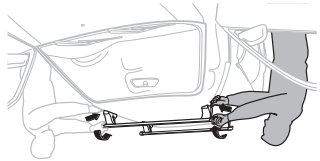
EST Pinguldage vaheldumisi.

LAT Pveiclot patbūs.

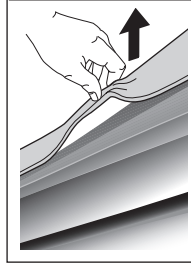
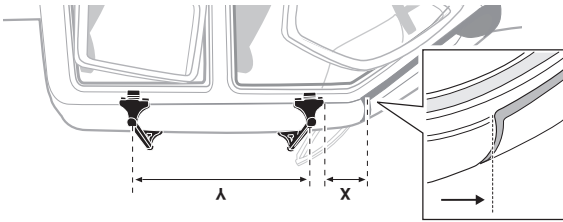
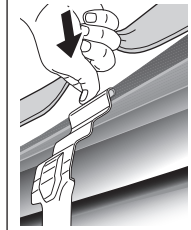
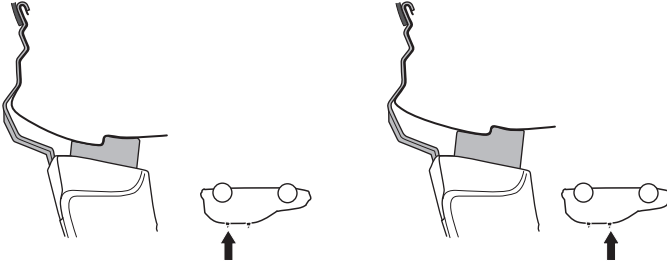
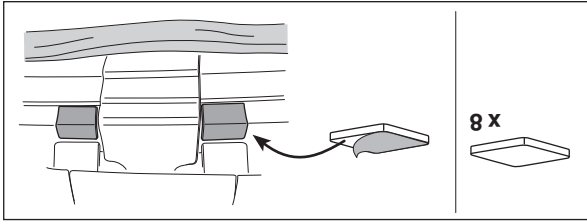
LIT Užskinkite pakaitomis.

PL Śrubę dokrecaj naprzemiennie.

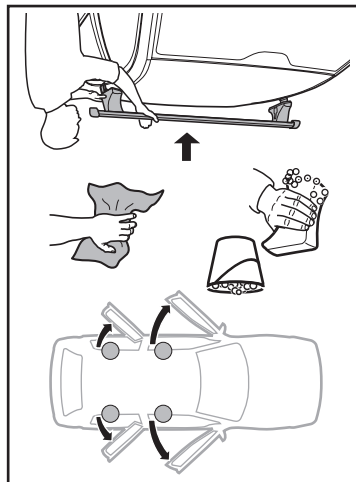
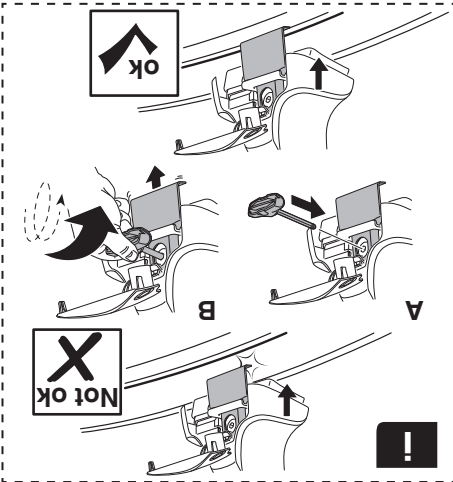
RU Затягивайте попеременно.

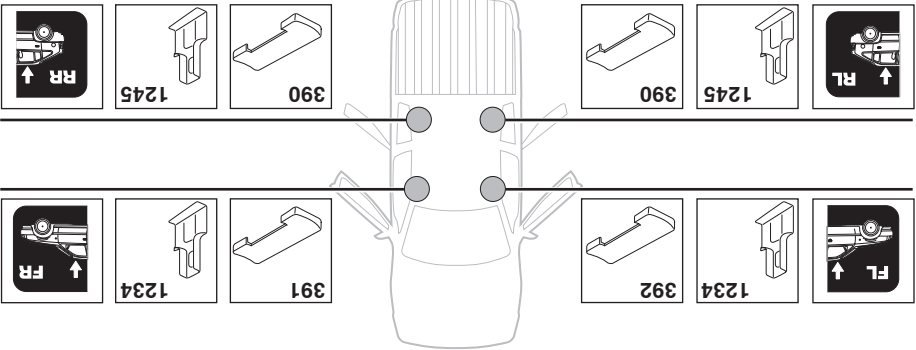
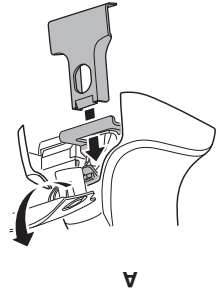
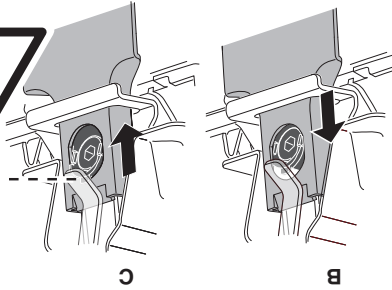
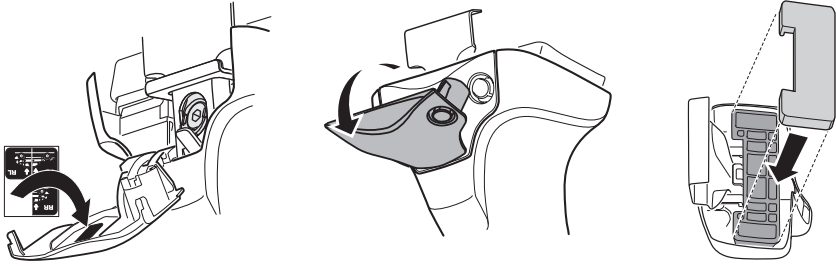


7

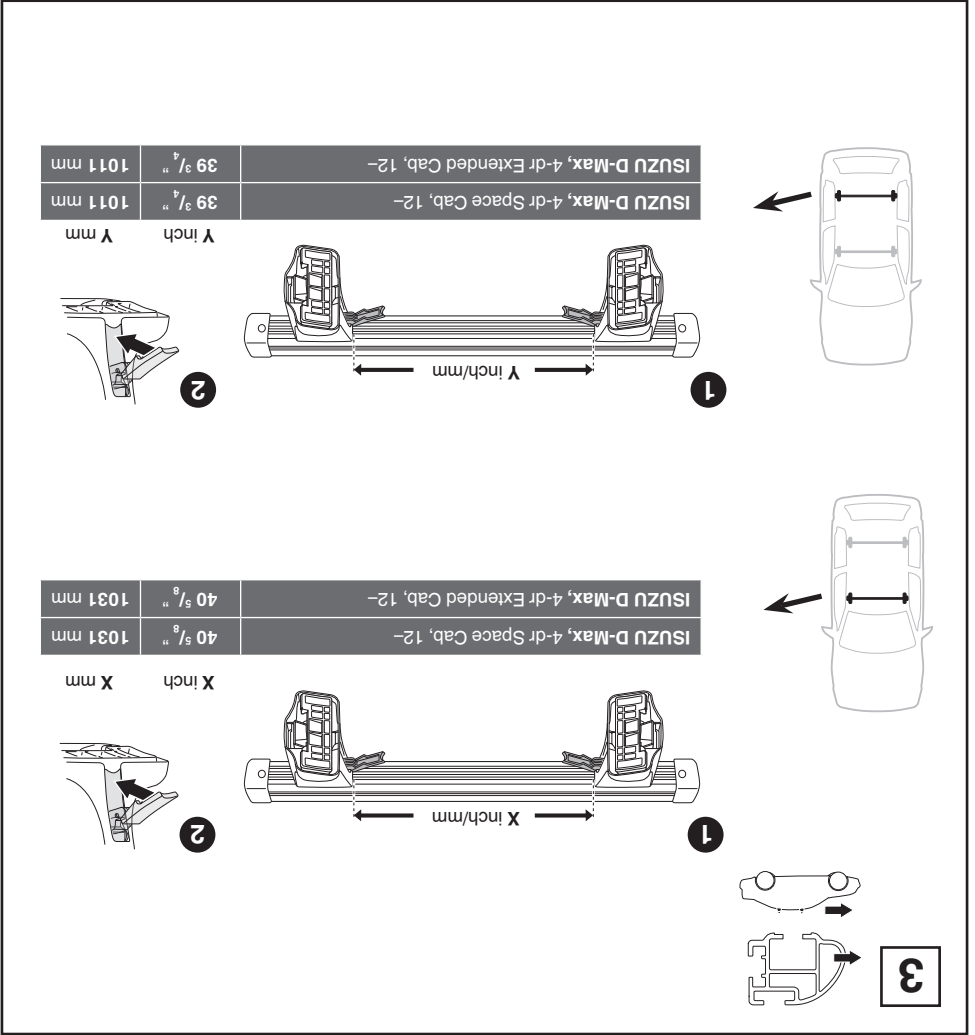
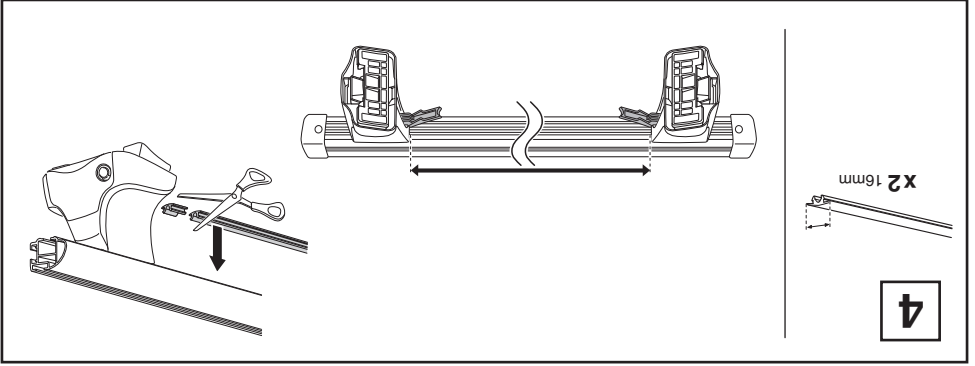


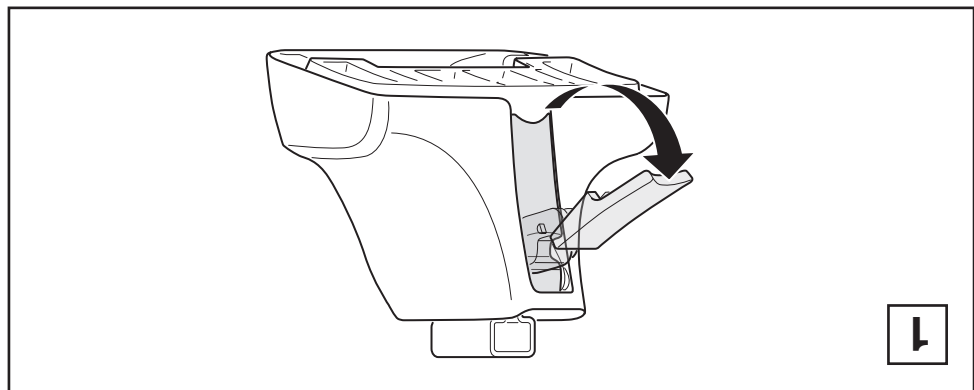
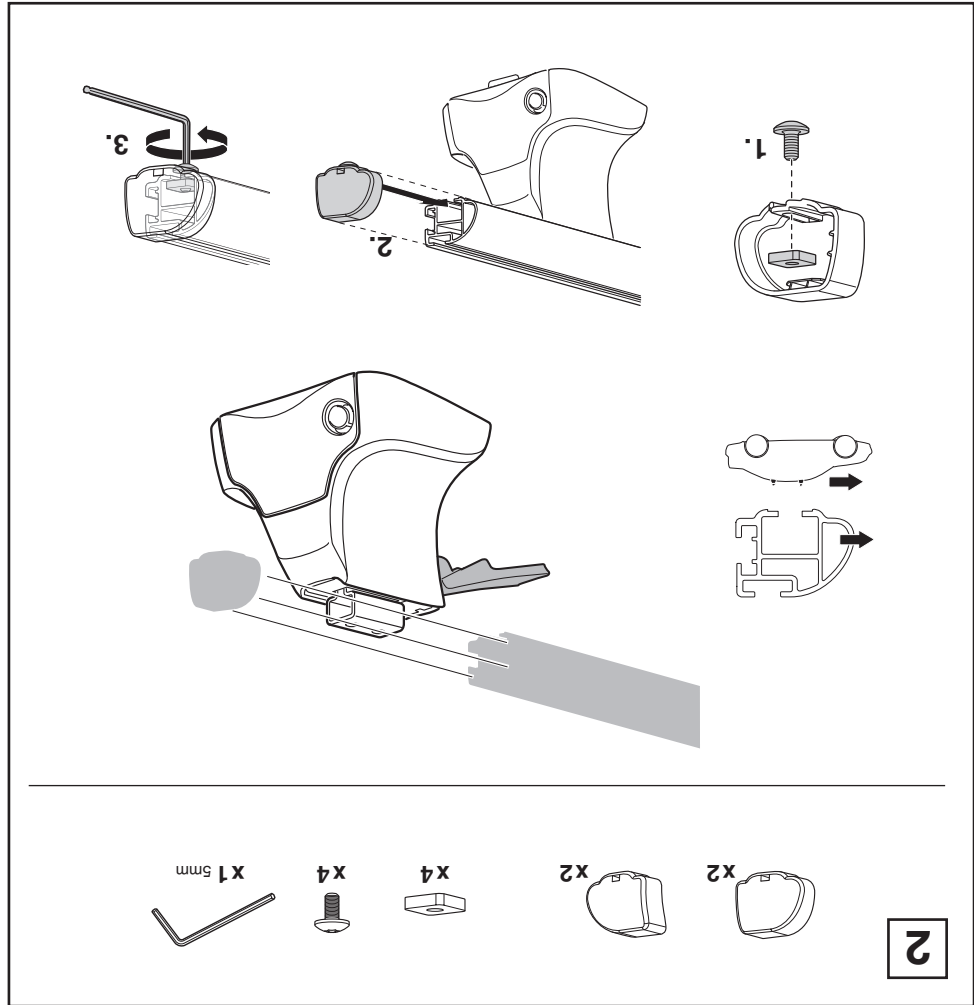
| | | | | |
|-------------------------------------|--------|--------|--------|---------|
| ISUZU D-Max, 4-dr Extended Cab, 12- | 250 mm | 670 mm | 9 7/8" | 26 3/8" |
| ISUZU D-Max, 4-dr Space Cab, 12- | 250 mm | 670 mm | 9 7/8" | 26 3/8" |
| | X mm | Y mm | X inch | Y inch |

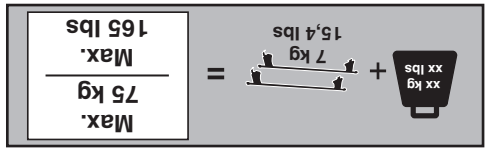
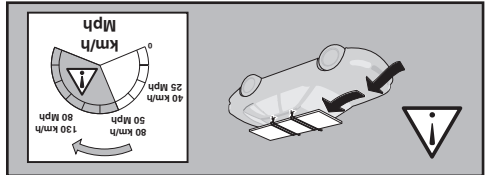
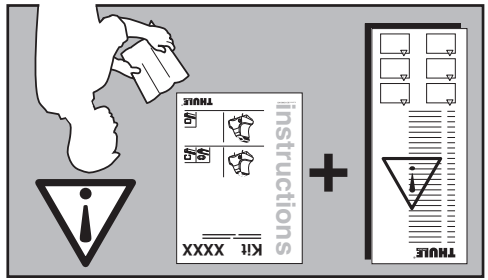
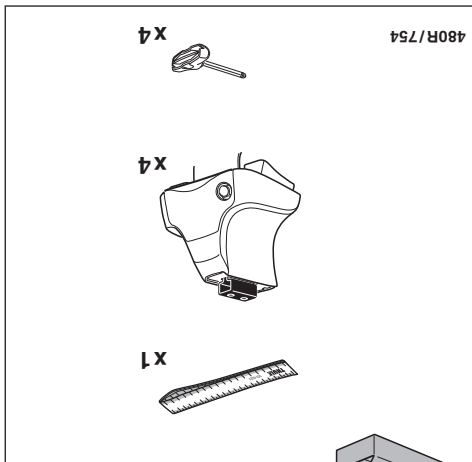
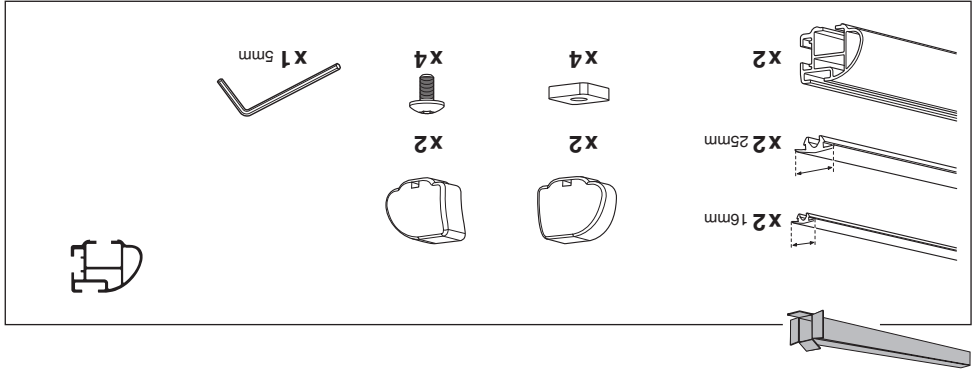
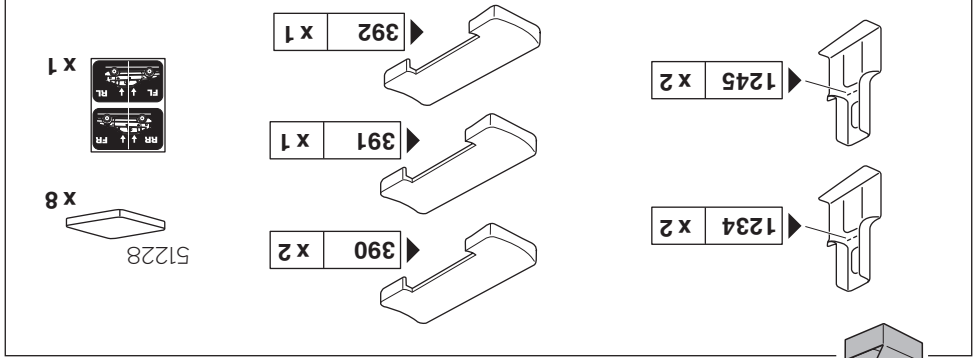




ISUZU D-Max, 4-dr Space Cab, 12-
 ISUZU D-Max, 4-dr Extended Cab, 12-





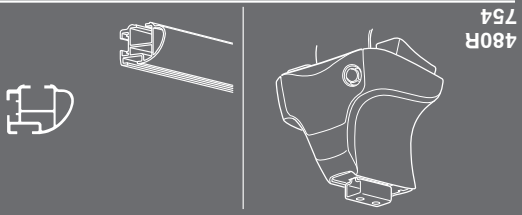
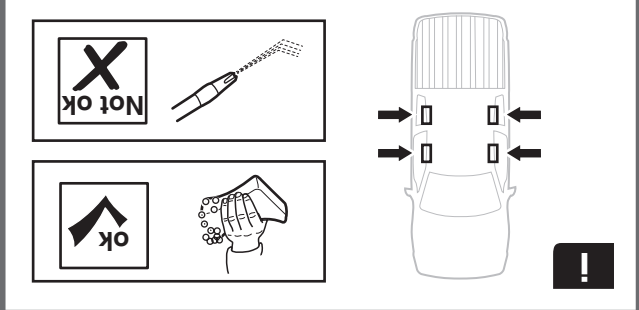


Kit 1714

ISUZU D-Max, 4-dr Space Cab, 12-
ISUZU D-Max, 4-dr Extended Cab, 12-

Instructions

20190820_503-1714-02



THULE
SWEDEN
PROFESSIONAL

ISO 11154-E