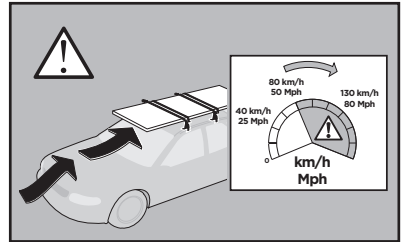
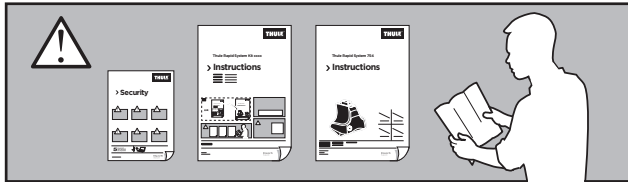
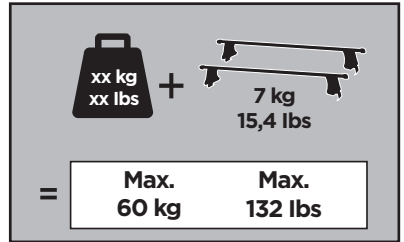
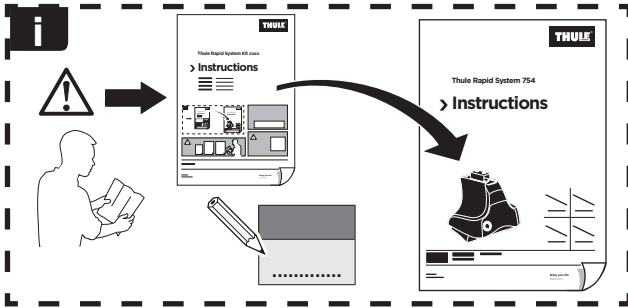


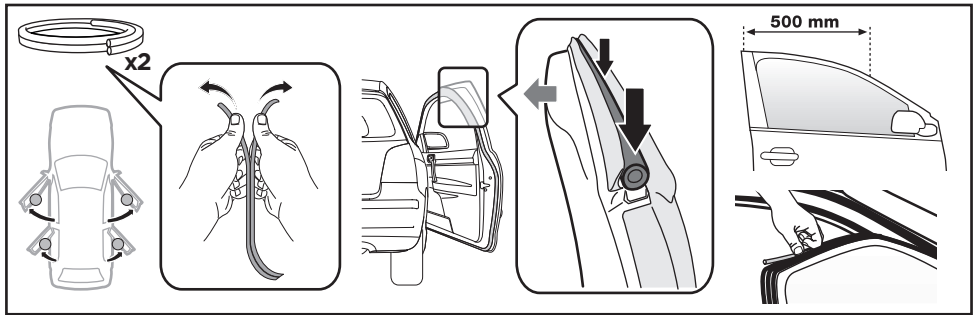
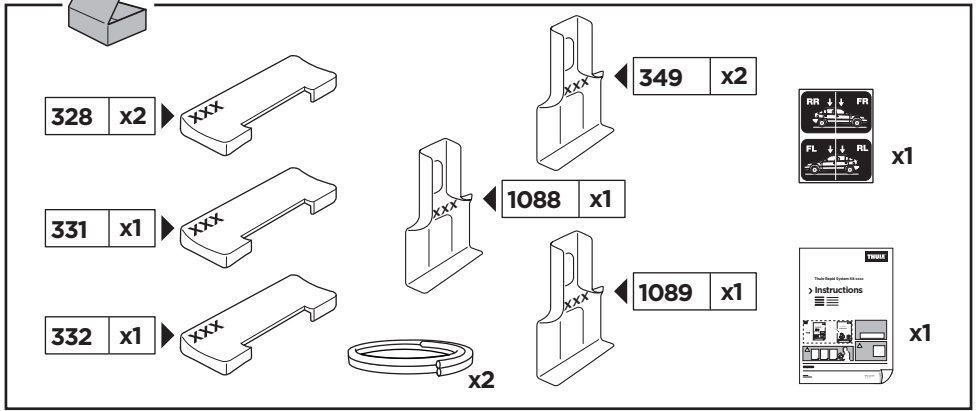
# Thule Rapid System Kit 1606

# > Instructions

**VOLKSWAGEN Polo (Mk.V), 3-dr Hatchback, 10-**



ISO 11154-E



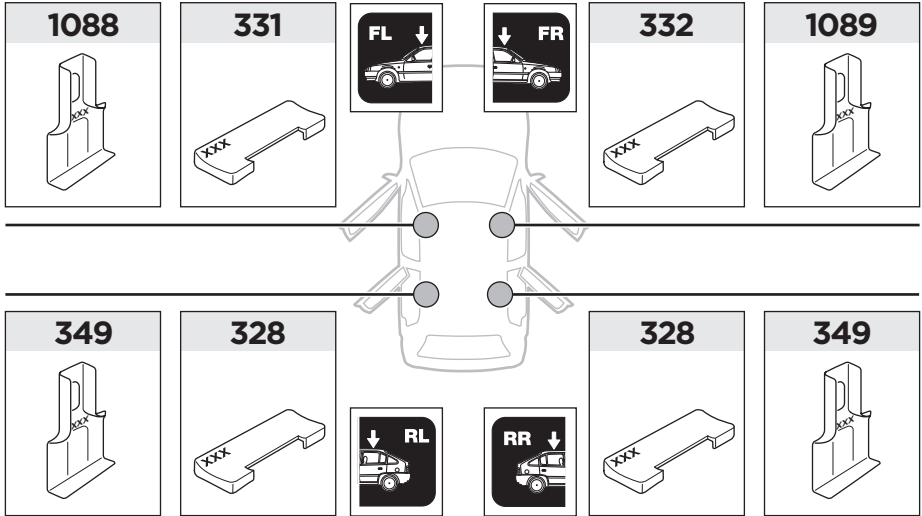
1

	X (scale)	X (mm)	X (inch)
<b>VOLKSWAGEN Polo (Mk.V), 3-dr Hatchback, 10-</b>	<b>37</b>	<b>1021</b>	<b>40 1/4</b>

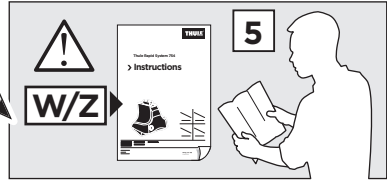
	Y (scale)	Y (mm)	Y (inch)
<b>VOLKSWAGEN Polo (Mk.V), 3-dr Hatchback, 10-</b>	<b>33</b>	<b>981</b>	<b>38 5/8</b>

**2**

**VOLKSWAGEN Polo (Mk.V), 3-dr Hatchback, 10-**



**3**



	W (mm)	Z (mm)	W (inch)	Z (inch)
<b>VOLKSWAGEN Polo (Mk.V), 3-dr Hatchback, 10-</b>	<b>200</b>	<b>730</b>	<b>7 <sup>7</sup>/<sub>8</sub></b>	<b>26 <sup>3</sup>/<sub>4</sub></b>

