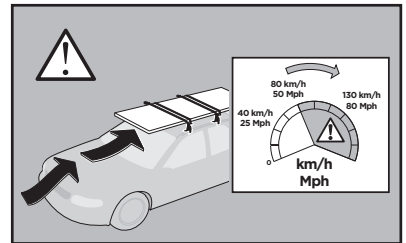
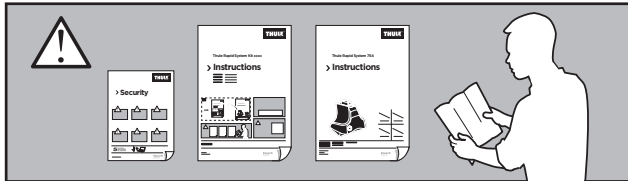
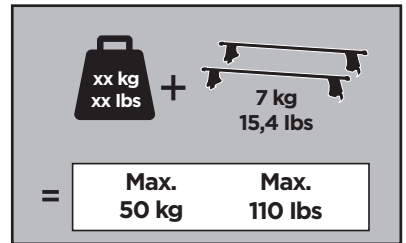
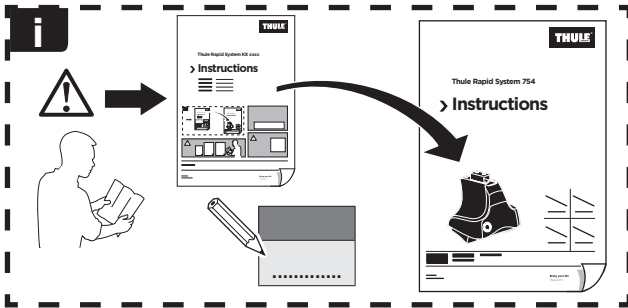


# Thule Rapid System Kit 1500

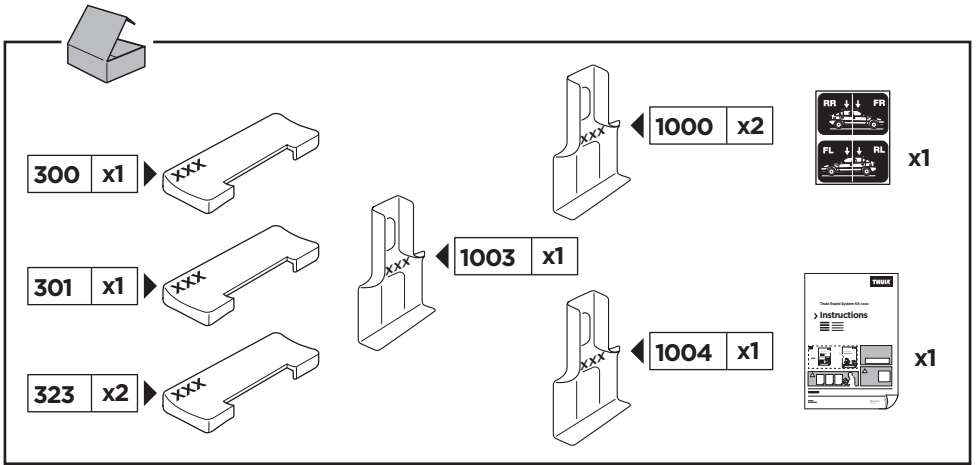
# > Instructions

**LANCIA Delta**, 5-dr Hatchback, 08-\*

\* with normal roof

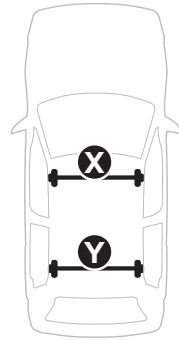
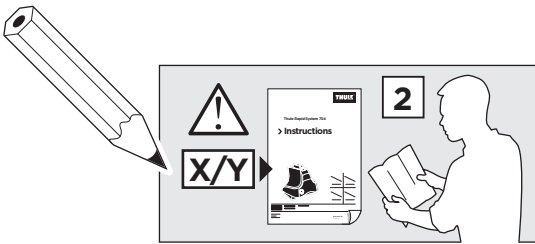


ISO 11154-E



**1**

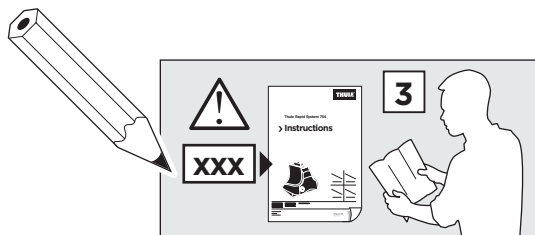
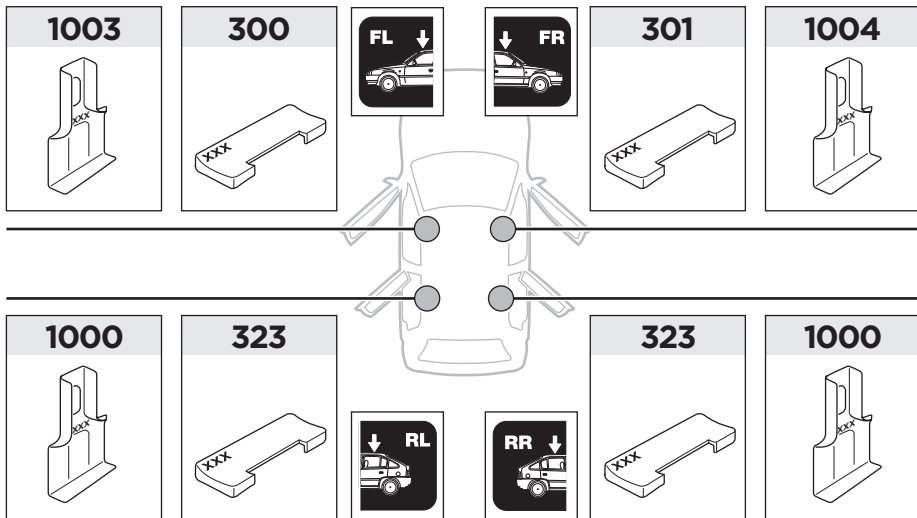
|                                    | X (scale) | X (mm) | X (inch)                       |
|------------------------------------|-----------|--------|--------------------------------|
| LANCIA Delta, 5-dr Hatchback, 08-* | 41        | 1061   | 41 <sup>3</sup> / <sub>4</sub> |

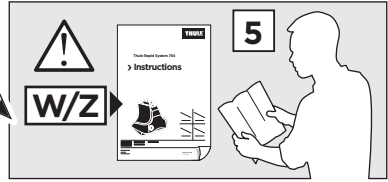


|                                    | Y (scale) | Y (mm) | Y (inch) |
|------------------------------------|-----------|--------|----------|
| LANCIA Delta, 5-dr Hatchback, 08-* | 31,5      | 966    | 38       |

# 2

LANCIA Delta, 5-dr Hatchback, 08-\*



**3**

|   | W (mm)     | Z (mm)     | W (inch)     | Z (inch)      |
|---|------------|------------|--------------|---------------|
| <b>LANCIA Delta, 5-dr Hatchback, 08-*</b> | <b>155</b> | <b>850</b> | <b>6 1/8</b> | <b>33 1/2</b> |

